

INSTALLATION INSTRUCTIONS – CUBIC RAIL

To install this product, you will need the following tools:

- Tape Measure
- Marking Pencil
- Ladder
- Drill
- Star Point Screwdriver
- 5.5mm Masonry Drill Bit

1) The Cubic Rail consists of the following components (Refer Figure 1):
The Wall Bracket (1) is attached to the rail with a clamp (2). The Curtain Track (3) is integrated into Cubic Pole (4).

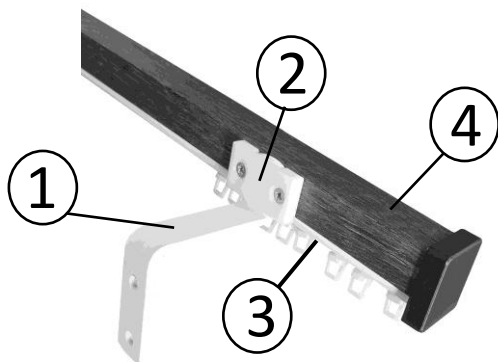


Figure 1

2) To install the bracket, loosen the screws on the clamp. Insert the bracket and tighten the screws of the clamp to secure the bracket in place (Refer Figure 2)

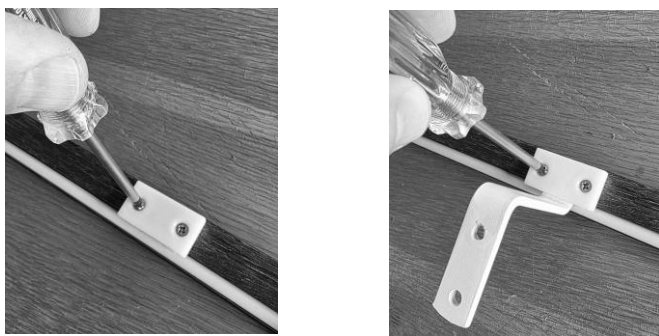


Figure 2

2) Determine the desired height to install the Cubic Rail. The height (A) depends on the length of the curtain, plus 3 – 5cm between the bottom of the curtain and the floor. (Refer Figure 3)

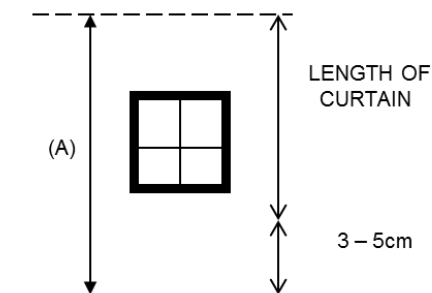


Figure 3

4) Starting from the middle of the window, once you have determined the correct height, measure this height from the floor and mark it on the wall with a pencil. Repeat this operation 30cm to the left and 30cm to the right so that you have three marks. Join these marks with a line across the wall at this height with pencil, which will be where the track must be installed. With an assistant, place the track on this line and mark the holes to be drilled. (Refer to Figure 4)



Figure 4

5) Using a drill and a 5.5mm masonry drill bit, drill the holes into the wall at the marked position. Insert the wall plugs provided and then secure the cubic rail to the wall by turning the screw through the bracket into the wall plug.

IMPORTANT: Once installed, gently pull down on the cubic rail to make sure that its secure.

Spare Parts

Spare components are available if you need them. Please refer to the list of spare components available, with their relevant barcodes.

BARCODE	DESCRIPTION	CODE
6009691100413	FAMILY NYLON SLIDERS (40-Pack)	GAFR